

HOOD INFORMATION

HOOD NO.	TAG	MODEL	LENGTH	MAX. COOKING TEMP.	EXHAUST PLENUM RISER(S)						TOTAL SUPPLY CFM	HOOD CONSTRUCTION	HOOD CONFIG.		
					TOTAL EXH. CFM	WIDTH	LENG.	HEIGHT	DIA.	CFM			VEL.	S.P.	END TO END
1		4824 EX-2-PSP-F	8' 0"	600 Deg.	2000		4"	14"	2000	1871	-0.574"	1600	430 SS Where Exposed	ALONE	ALONE

PATENT NUMBERS

AC-PSP (United States) - US Patent 7963830 B2
 AC-PSP Wall (Canada) - CA Patent 2820509
 AC-PSP Island (Canada) - CA Patent 2520330

HOOD INFORMATION

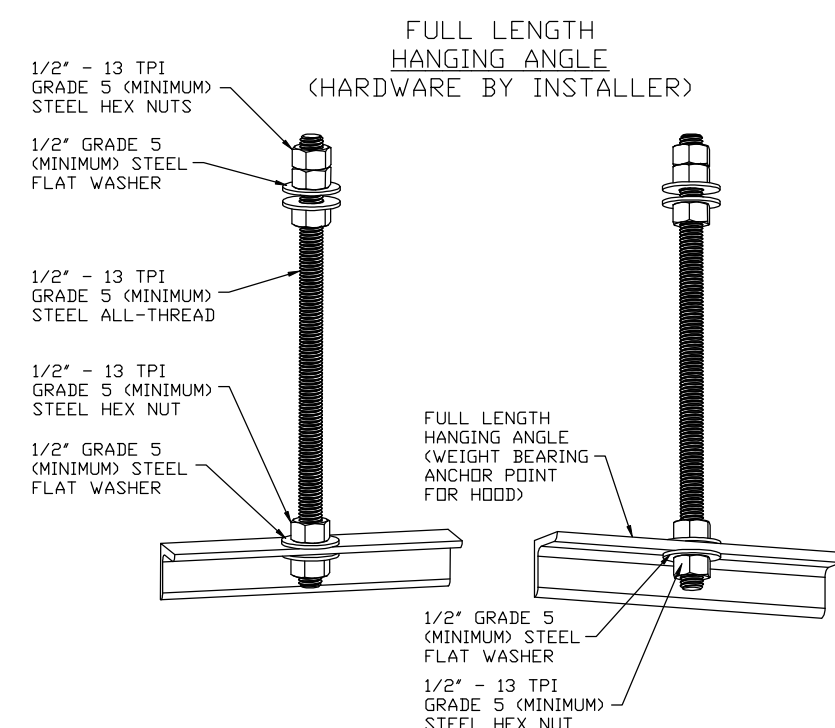
HOOD NO.	TAG	TYPE	FILTER(S)				LIGHT(S)				UTILITY CABINET(S)				FIRE SYSTEM PIPING	HOOD HANGING WGT	
			QTY.	HEIGHT	LENGTH	EFFICIENCY @ 7 MICRONS	QTY.	TYPE	WIRE GUARD	LOCATION	SIZE	FIRE SYSTEM	SIZE	ELECTRICAL MODEL #			SWITCHES QUANTITY
1		SS Baffle with Handles	5	16"	16"	30%	3	L55 Series E26	NO	Right	12"x48"x24"	Ansul R102	3.0	SC-111110FP	1 Light 1 Fan	YES	516 LBS

HOOD OPTIONS

HOOD NO.	TAG	OPTION
1		SENSOR-CV

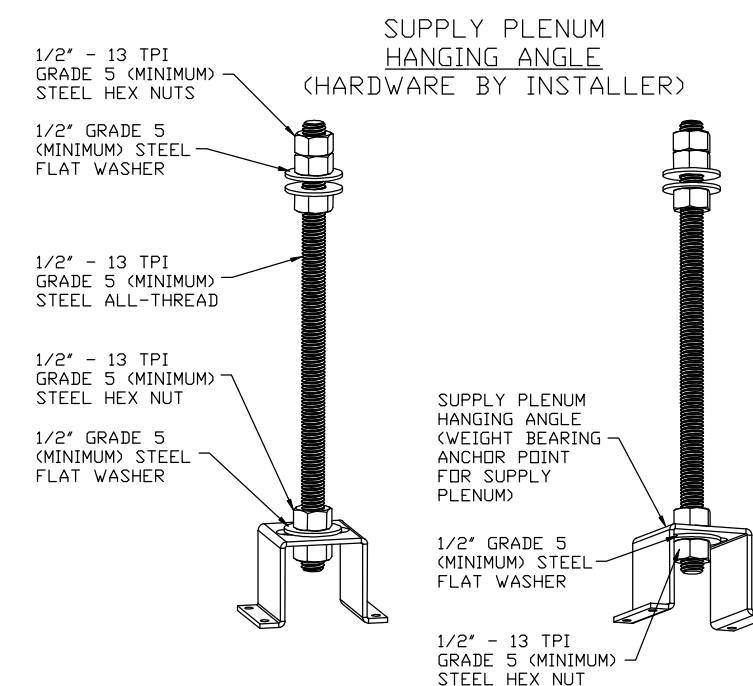
PERFORATED SUPPLY PLENUM(S)

HOOD NO.	TAG	POS.	LENGTH	WIDTH	HEIGHT	TYPE	RISER(S)				
							WIDTH	LENG.	DIA.	CFM	S.P.
1		Front	108"	16"	6"	MUA	12"	24"		800	0.240"
						MUA	12"	24"		800	0.240"



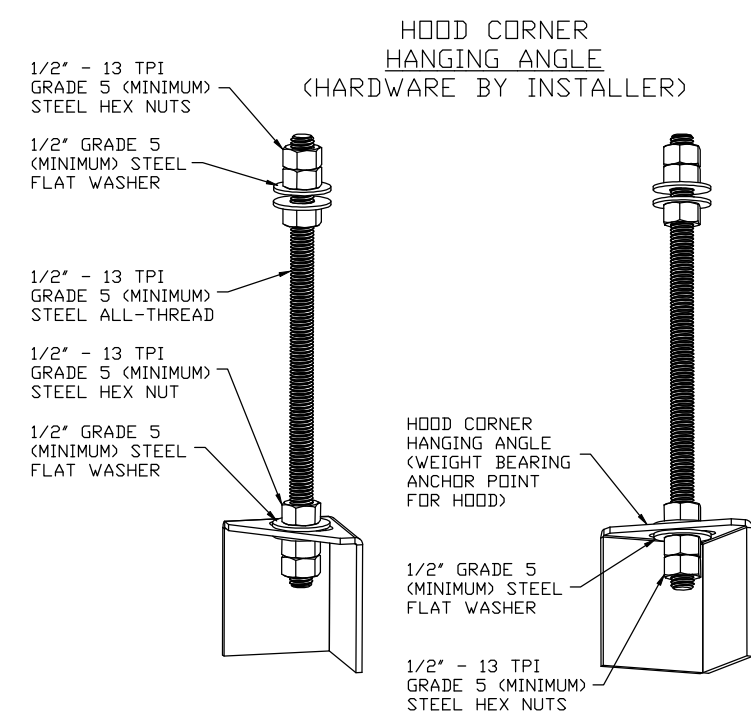
ASSEMBLY INSTRUCTIONS

HANGING ANGLE MUST BE SUPPORTED WITH 1/2" - 13 TPI GRADE 5 (MINIMUM) ALL-THREAD. SANDWICH HANGING ANGLES AND CEILING ANCHOR POINTS WITH 1/2" GRADE 5 (MINIMUM) STEEL FLAT WASHERS AND 1/2" - 13 TPI GRADE 5 (MINIMUM) HEX NUTS AS SHOWN. MUST USE DOUBLED HEX NUT CONFIGURATION ABOVE CEILING ANCHORS. SINGLE HEX NUT BENEATH HANGING ANGLE IS ACCEPTABLE FOR FULL LENGTH HANGING ANGLES. MAINTAIN 1/4" OF EXPOSED THREADS BENEATH BOTTOM HEX NUT. TORQUE ALL HEX NUTS TO 57 FT-LBS.



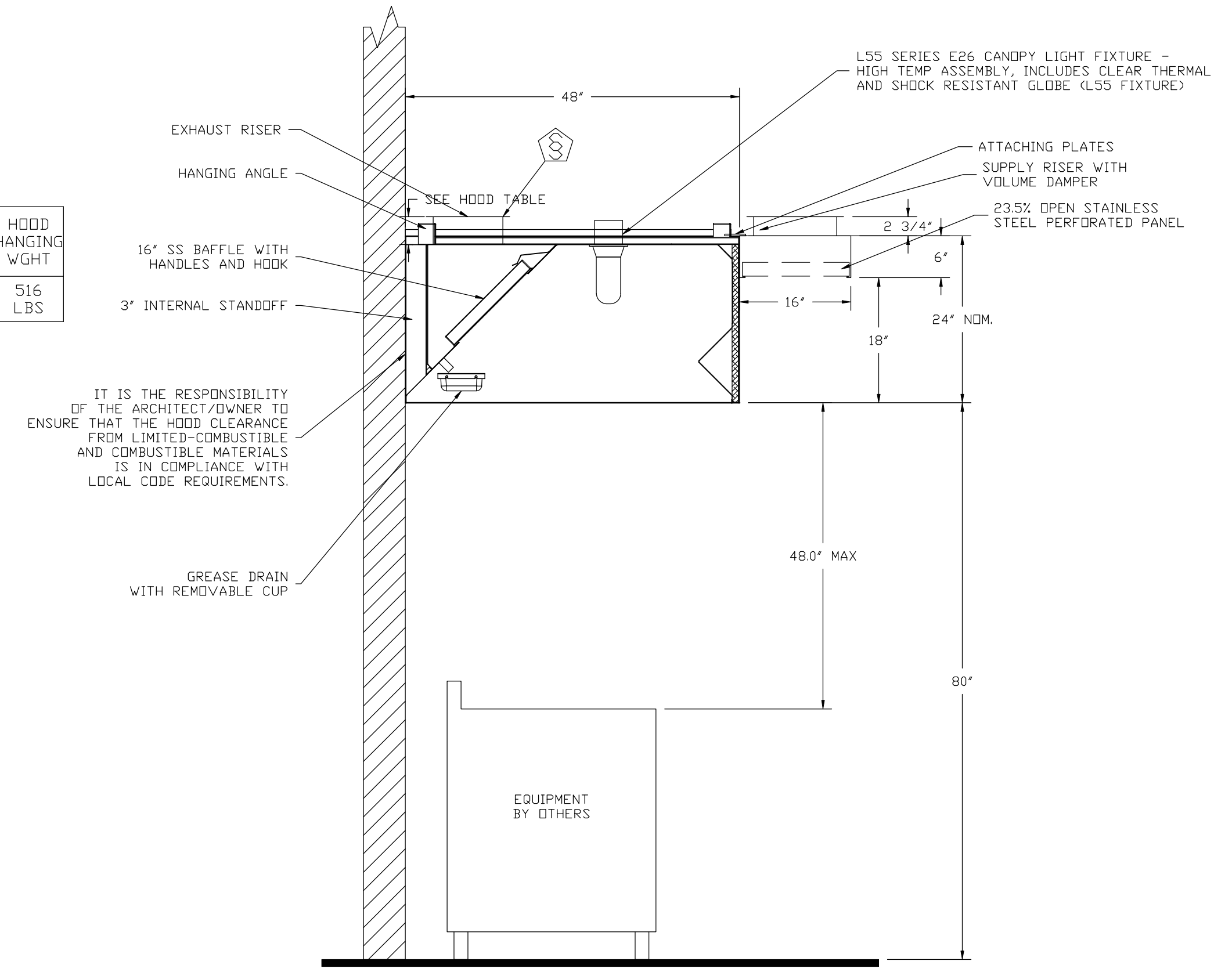
ASSEMBLY INSTRUCTIONS

HANGING ANGLE MUST BE SUPPORTED WITH 1/2" - 13 TPI GRADE 5 (MINIMUM) ALL-THREAD. SANDWICH HANGING ANGLES AND CEILING ANCHOR POINTS WITH 1/2" GRADE 5 (MINIMUM) STEEL FLAT WASHERS AND 1/2" - 13 TPI GRADE 5 (MINIMUM) HEX NUTS AS SHOWN. MUST USE DOUBLED HEX NUT CONFIGURATION ABOVE CEILING ANCHORS. SINGLE HEX NUT BENEATH HANGING ANGLE IS ACCEPTABLE FOR PSP HANGING ANGLES. MAINTAIN 1/4" OF EXPOSED THREADS BENEATH BOTTOM HEX NUT. TORQUE ALL HEX NUTS TO 57 FT-LBS.



ASSEMBLY INSTRUCTIONS

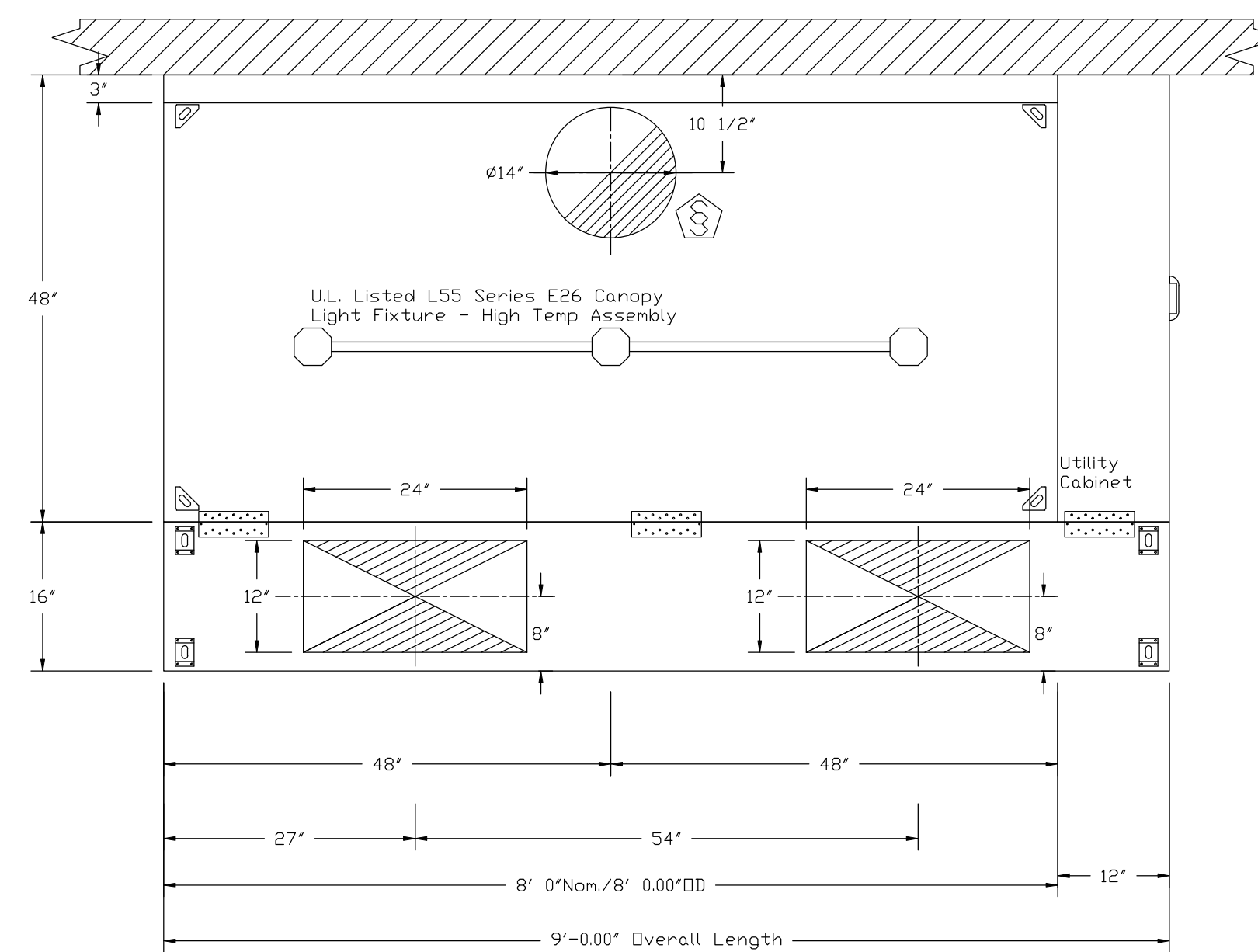
HANGING ANGLE MUST BE SUPPORTED WITH 1/2" - 13 TPI GRADE 5 (MINIMUM) ALL-THREAD. SANDWICH HANGING ANGLES AND CEILING ANCHOR POINTS WITH 1/2" GRADE 5 (MINIMUM) STEEL FLAT WASHERS AND 1/2" - 13 TPI GRADE 5 (MINIMUM) HEX NUTS AS SHOWN. MUST USE DOUBLED HEX NUT CONFIGURATION BENEATH HOOD HANGING ANGLES AND ABOVE CEILING ANCHORS. MAINTAIN 1/4" OF EXPOSED THREADS BENEATH BOTTOM HEX NUT. TORQUE ALL HEX NUTS TO 57 FT-LBS.



SECTION VIEW - MODEL 4824EX-2-PSP-F HOOD - #1

ECON-AIRE HOODS ARE BUILT IN COMPLIANCE WITH

NFPA #96 - 2014 EDITION
 ETL LISTED TO UL-710 REQUIREMENTS
 IMC 2018



PLAN VIEW - Hood #1
 8' 0.00" LONG 4824EX-2-PSP-F

REVISIONS

DESCRIPTION	DATE

ECON-AIRE
 www.econaire.com

8' KVS Package (2019)

DATE: 3/21/2019
 DWG.#:
 DRAWN BY:
 SCALE:
 3/4" = 1'-0"
 MASTER DRAWING

SHEET NO.
 1

EXHAUST FAN INFORMATION

FAN UNIT NO.	TAG	FAN UNIT MODEL #	CFM	ESP.	RPM	H.P.	B.H.P.	Ø	VOLT	FLA	DISCHARGE VELOCITY	WEIGHT (LBS.)	SONES
1	KEF-1	EADU85H	2000	1.000	1402	0.750	0.5450	1	115	9.8	633 FPM	98	16.6

MUA FAN INFORMATION

FAN UNIT NO.	TAG	FAN UNIT MODEL #	BLOWER	HOUSING	MIN CFM	DESIGN CFM	ESP.	RPM	H.P.	B.H.P.	Ø	VOLT	FLA	WEIGHT (LBS.)	SONES
2	MUA-1	EA-A1-G10	G10	A1	-	1600	0.500	749	0.500	0.3460	1	115	7.6	211	13.3

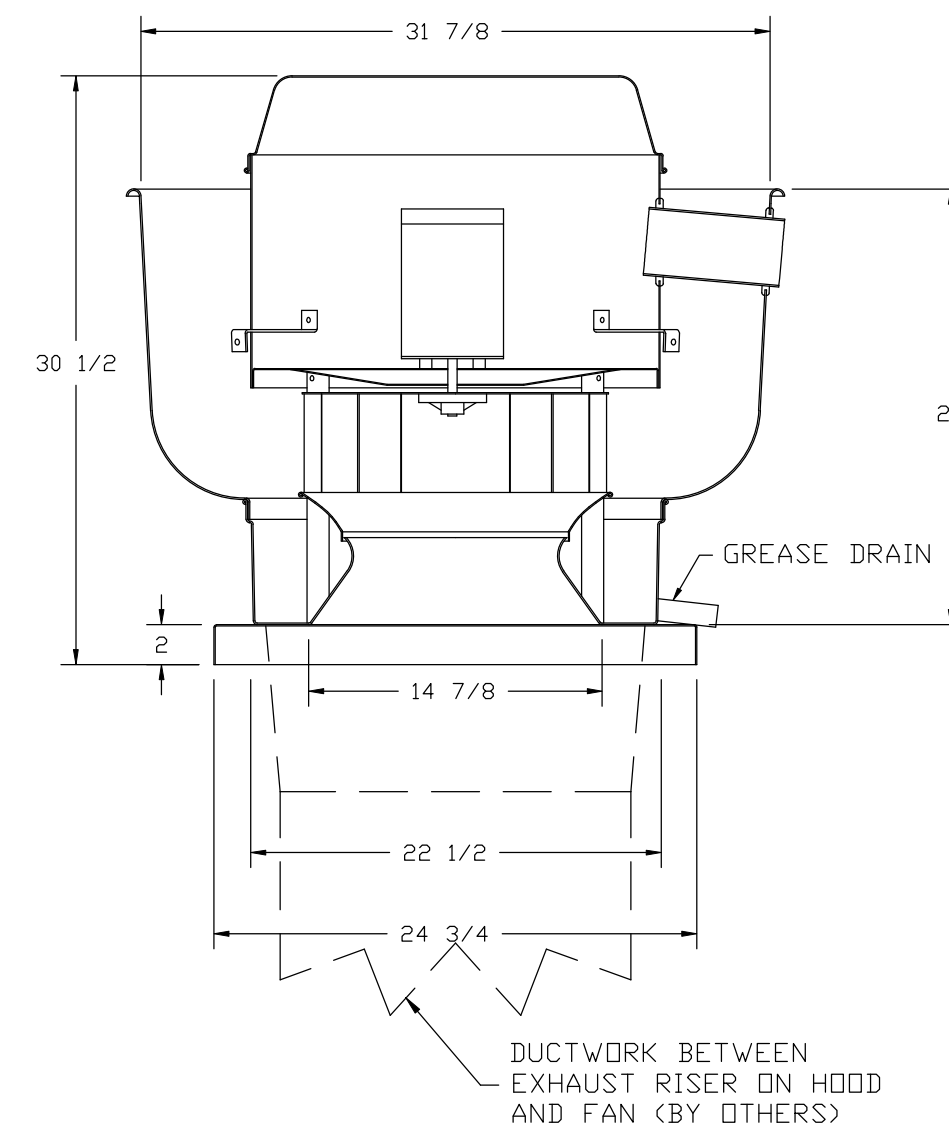
FAN OPTIONS

FAN UNIT NO.	TAG	OPTION (Qty. - Descr.)
1	KEF-1	1 - Grease Box

CURB ASSEMBLIES

NO.	ON FAN	TAG	WEIGHT	ITEM	SIZE
1	# 1	KEF-1	36 LBS	Curb	23.000"W x 23.000"L x 20.000"H Vented Hinged
2	# 2	MUA-1	29 LBS	Curb	21.000"W x 21.000"L x 20.000"H

FAN #1 EADU85H - EXHAUST FAN (KEF-1)



FEATURES:

- DIRECT DRIVE CONSTRUCTION (NO BELTS/PULLEYS)
- ROOF MOUNTED FANS
- RESTAURANT MODEL
- UL705 AND UL762 AND ULC-S645
- VARIABLE SPEED CONTROL
- INTERNAL WIRING
- WEATHERPROOF DISCONNECT
- THERMAL OVERLOAD PROTECTION (SINGLE PHASE)
- HIGH HEAT OPERATION 300°F (149°C)
- GREASE CLASSIFICATION TESTING

NORMAL TEMPERATURE TEST

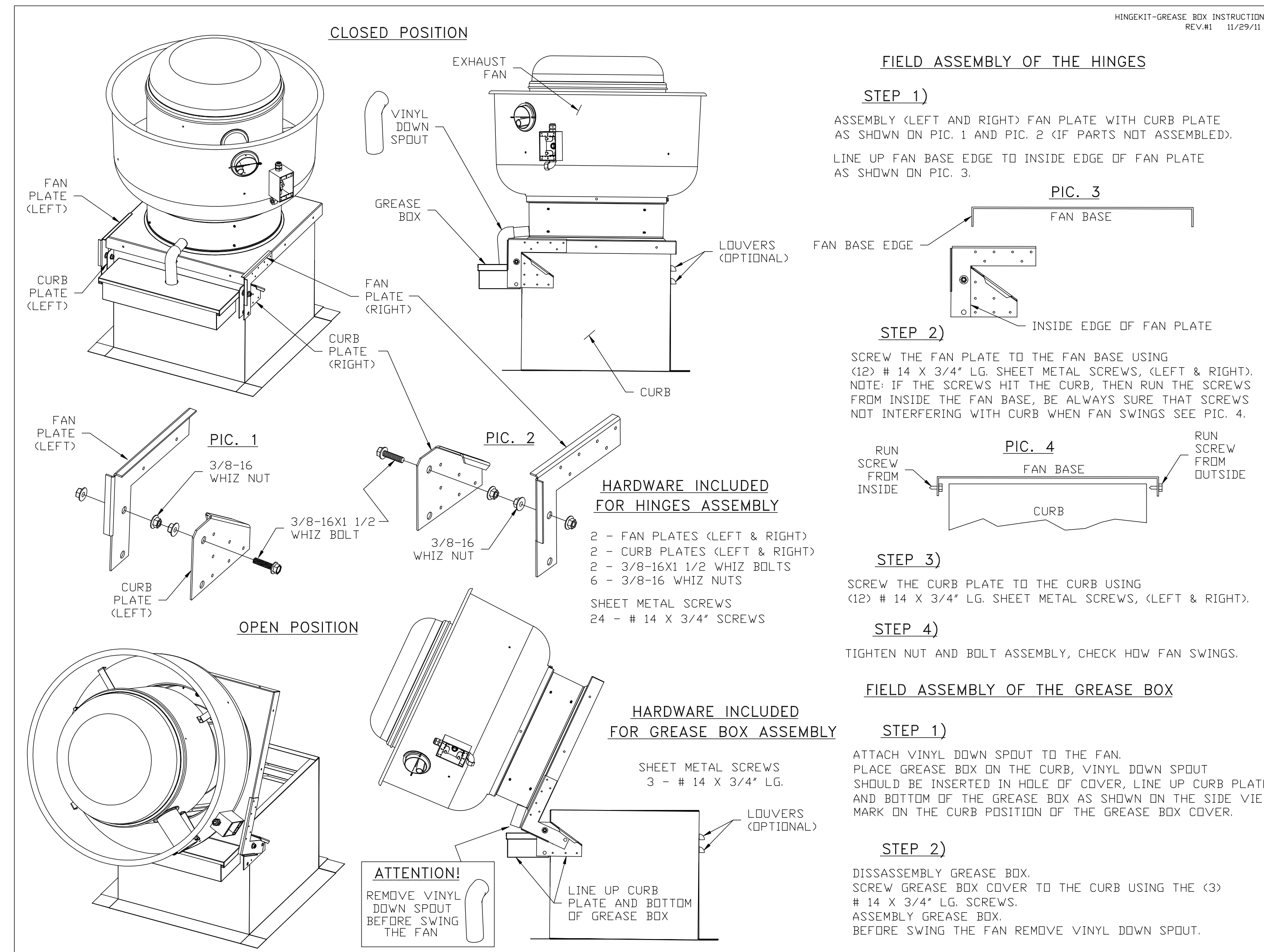
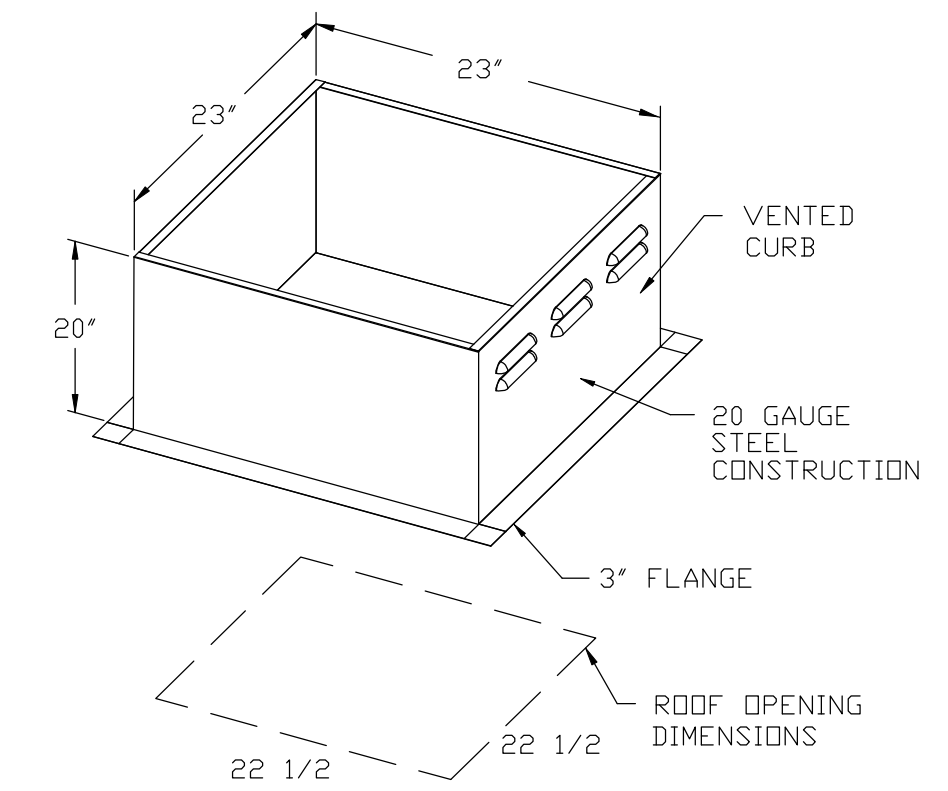
EXHAUST FAN MUST OPERATE CONTINUOUSLY WHILE EXHAUSTING AIR AT 300°F (149°C) UNTIL ALL FAN PARTS HAVE REACHED THERMAL EQUILIBRIUM, AND WITHOUT ANY DETERIORATING EFFECTS TO THE FAN WHICH WOULD CAUSE UNSAFE OPERATION.

ABNORMAL FLARE-UP TEST

EXHAUST FAN MUST OPERATE CONTINUOUSLY WHILE EXHAUSTING BURNING GREASE VAPORS AT 600°F (316°C) FOR A PERIOD OF 15 MINUTES WITHOUT THE FAN BECOMING DAMAGED TO ANY EXTENT THAT COULD CAUSE AN UNSAFE CONDITION.

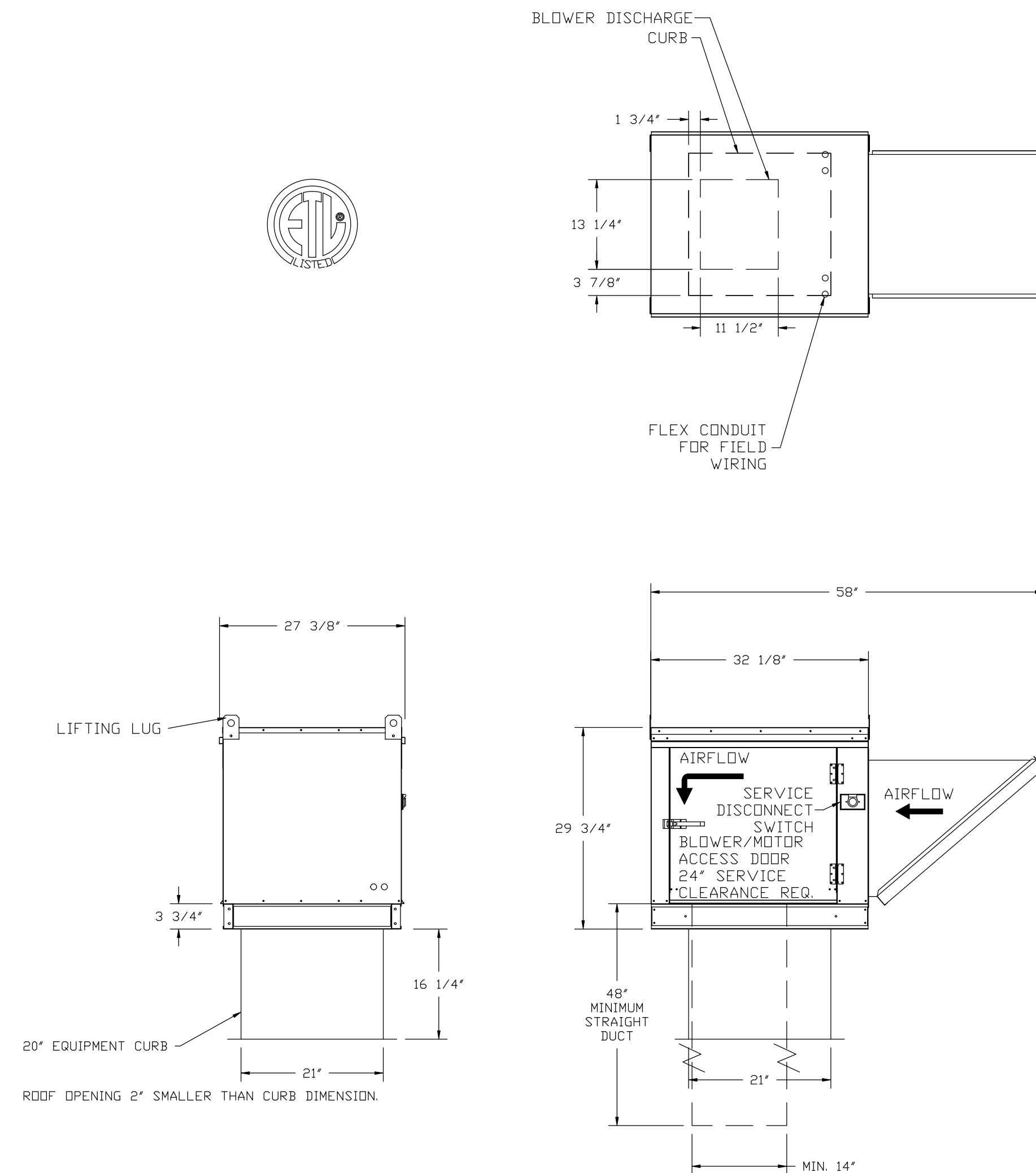
OPTIONS

GREASE BOX.



- FAN #2 EA-A1-G10 - SUPPLY FAN (MUA-1)
1. UNTEMPERED SUPPLY UNIT WITH 10" BLOWER IN SIZE #1 HOUSING
 2. INTAKE HOOD WITH EZ FILTERS-LOW CFM
 3. DOWN DISCHARGE - AIR FLOW RIGHT -> LEFT

NOTE: SUPPLY DUCT MUST BE INSTALLED TO MEET SMACNA STANDARDS. A MINIMUM STRAIGHT DUCT LENGTH MUST BE MAINTAINED DOWNSTREAM OF UNIT DISCHARGE UNLESS OTHERWISE SPECIFIED. DO NOT RELY ON UNIT TO SUPPORT DUCT IN ANY WAY. FAILURE TO PROPERLY SIZE DUCTWORK MAY CAUSE SYSTEM EFFECTS AND REDUCE PERFORMANCE OF THE EQUIPMENT. SUGGESTED STRAIGHT DUCT SIZE IS 14" x 14" x 48" LONG.



REVISIONS

DESCRIPTION	DATE

ECON-AIR
www.econair.com

8' KVS Package (2019)

DATE: 3/21/2019

DWG.#:

DRAWN BY:

SCALE: 3/4" = 1'-0"

MASTER DRAWING

SHEET NO. 2